

MOEPSE STYRENE FREE EPOXY VINYLESTER

Denomination: EPOXY VINYLESTER CHEMICAL MORTAR STYRENE FREE

Codes: **MOEPSE, MOEPSEW**

Reference: FT MOEPSE-en

Date: **03/10/17**

Revision: **10**

Page: **1 of 11**

MOEPSE

CHARACTERISTICS

CERTIFICATES



- Assessed for all types of concrete, cracked and non-cracked, masonry and all concrete applications.
- Certificate of contact with drinking water (WRAS).
- Fire resistance certificate for studs and rebar (IBMB).
- Assessed studs from M8 to M30, even M27.
- Rebar used as stud from $\varnothing 8$ to $\varnothing 32$.
- Post-installed rebar $\varnothing 8$ to $\varnothing 25$.
- Use for high loads.
- Styrene free.
- Valid for dry, wet and flooded holes.
- Use for static or quasi-static loads.
- Versions in zinc plated steel and stainless steel A2 and A4.
- Temperature range: from -40°C to $+80^{\circ}\text{C}$ (long term maximum temperature $+50^{\circ}\text{C}$).



European Technical Assessment

INDEX Fixing Systems (Técnicas Expansivas S.L.) MOEPSE300 & MOEPSE410 DOP MOEPSE	
	13 ETA 13/0780 ETAG 001-1,5 OPTION 1 1020
	13 ETA 13/0780 TR023 1020
	16 ETA 16/0841 ETAG 029 1020



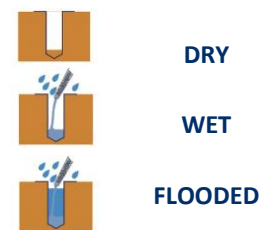
APPLICATIONS

- Use in indoor and outdoor environments.
- Structural applications
- Fixing of building substructures.
- Rebar and start rebar.
- For fixing enginery, balconies, awnings, shelving units, billboards, catenaries, safety barriers, railings, handrails, etc.
- Large metric sizes, retaining walls.

BASE MATERIAL

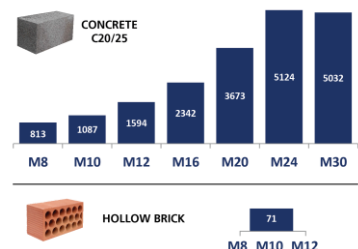
VALID FOR

DRILL HOLE CONDITION



APPLICATION EXAMPLES

MAXIMUM RECOMMENDED LOADS [kg]



MOEPSE STYRENE FREE EPOXY VINYLESTER

Denomination: EPOXY VINYLESTER CHEMICAL MORTAR STYRENE FREE

Codes: **MOEPSE, MOEPSEW**

Reference: FT MOEPSE-en

Date: **03/10/17**

Revision:**10**

Page: **2 of 11**

1. RANGE

ITEM	CODE	SIZE	PHOTO	COMPONENT	MATERIAL	
1	MOEPSE300 MOEPSE410	300 ml. 410 ml.		STYRENE FREE EPOXY VINYLESTER MORTAR	Styrene free epoxy vinylester. Format: cartridges de 300 y 410 ml	12
2	MOEPSEW300 MOEPSEW410	300 ml. 410 ml.		STYRENE FREE EPOXY VINYLESTER MORTAR WINTER VERSION	Styrene free epoxy vinylester for low temperature. Format: 300 and 410 ml cartridges	12

2. ACCESORIES

ITEM	CODE	PHOTO	COMPONENT	MATERIAL
1	MOPISSI		APPLICATION GUNS	Gun for 300 ml standard cartridges
	MOPISTO			Gun for 410 ml coaxial cartridges
2	EQ-AC EQ-A2 EQ-A4		STUD BOLTS	Threaded steel stud, class 5.8 ISO 898-1 Threaded stainless steel stud A2-70 Threaded stainless steel stud A4-70
3	MORCEPKIT		CLEANING BRUSHES	3 Cleaning brushes kit of $\varnothing 14$, $\varnothing 20$ and $\varnothing 29$ mm.
4	MOBOMBA		CLEANING PUMP	Pump for cleaning dust and drill hole fragments
5	MORCANU		MIXING NOZZLE	Plastic. Helix static mixer.
6	MO-TN		NYLON SLEEVE	Plastic. Available in white and grey
7	MO-TR		METAL THREADED SLEEVE	Metal threaded sleeve M8, M10, M12, zinc plated.
8	MO-TM		METAL SLEEVE	Metal sleeve of $\varnothing 12$, $\varnothing 16$ and $\varnothing 22$,

MOEPSE STYRENE FREE EPOXY VINYLESTER

Denomination: EPOXY VINYLESTER CHEMICAL MORTAR STYRENE FREE

Codes: **MOEPSE, MOEPSEW**

Reference: **FT MOEPSE-en**

Date: **03/10/17**

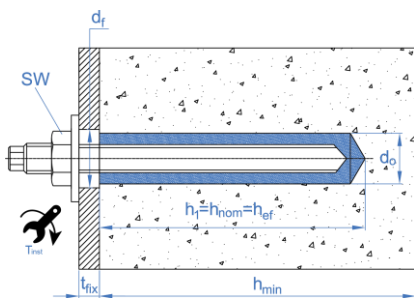
Revision: **10**

Page: **3 of 11**

3. INSTALLATION DATA

3.1. CONCRETE FIXING (SET UP PARAMETERS)

SIZE		M8	M10	M12	M16	M20	M24	M27	M30
d_0 : nominal diameter	[mm]	10	12	14	18	22	26	30	35
d_f : fixture hole diameter \leq	[mm]	9	12	14	18	22	26	30	33
T_{ins} : torque \leq	[Nm]	10	20	40	80	150	200	240	275
Circular cleaning brush diameter		$\varnothing 14$		$\varnothing 20$		$\varnothing 29$		$\varnothing 40$	
$h_{ef,min} = 8d$									
h_1 : drill hole depth	[mm]	64	80	96	128	160	192	216	240
$s_{cr,N}$: critical spacing	[mm]	192	240	288	384	480	576	648	720
$c_{cr,N}$: critical edge distance	[mm]	96	120	144	192	240	288	324	360
c_{min} : minimum distance to edge	[mm]	35	40	50	65	80	96	110	120
s_{min} : minimum spacing	[mm]	35	40	50	65	80	96	110	120
h_{min} : minimum concrete thickness	[mm]	100	110	126	158	204	244	276	310
Standard stud									
h_1 : drill hole depth	[mm]	80	90	110	128	170	210	-	280
$s_{cr,N}$: critical spacing	[mm]	240	270	330	384	510	630	-	840
$c_{cr,N}$: critical edge distance	[mm]	120	135	165	192	255	315	-	420
c_{min} : minimum distance to edge	[mm]	43	45	56	65	85	105	-	140
s_{min} : minimum spacing	[mm]	43	45	56	65	85	105	-	140
h_{min} : minimum concrete thickness	[mm]	110	120	140	158	214	262	-	350
$h_{ef,max} = 20d$									
h_1 : drill hole depth	[mm]	160	200	240	320	400	480	540	600
$s_{cr,N}$: critical spacing	[mm]	480	600	720	960	1200	1440	1620	1800
$c_{cr,N}$: critical edge distance	[mm]	240	300	360	480	600	720	810	900
c_{min} : minimum distance to edge	[mm]	80	100	120	160	200	240	270	300
s_{min} : minimum spacing	[mm]	80	100	120	160	200	240	270	300
h_{min} : minimum concrete thickness	[mm]	176	220	264	352	444	532	600	730
Zinc plated stud code		EQAC08110	EQAC10130	EQAC12160	EQAC16190	EQAC20260	EQAC24300	---	EQAC30330
Stainless steel stud code A2 / A4		EQA208110 EQA408110	EQA210130 EQA410130	EQA212160 EQA412160	EQA216190 EQA416190	EQA220260 EQA420260	EQA224300 EQA424300	---	EQA230330 EQA430330



- The h_{ef} depth value may be selected by the user ranging between $h_{ef,min} = 8d$ and $h_{ef,max} = 20d$. Any intermediate values may be interpolated.
- Critical distances are those where anchors in a group of anchors are not influenced by one another with regard to tension load effects. For smaller distances, down to minimum distances, corresponding reduction coefficients must be applied.
- Standard studs are available for each measurement, as shown in the table.

MOEPSE STYRENE FREE EPOXY VINYLESTER

Denomination: EPOXY VINYLESTER CHEMICAL MORTAR STYRENE FREE

Codes: **MOEPSE, MOEPSEW**



Reference: **FT MOEPSE-en**

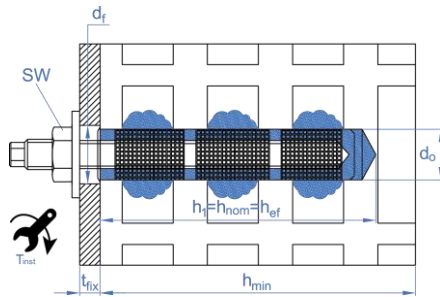
Date: **03/10/17**

Revision: **10**

Page: **4 of 11**

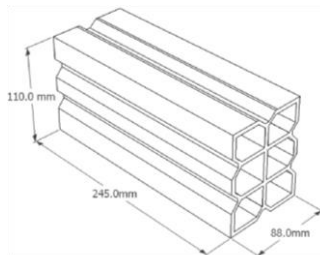
3.2. FIXING IN SOLID OR HOLLOW MASONRY (SET UP PARAMETERS)

SIZE		M8	M10	M12			
Nylon Sleeve	l _s	85	85	85			
	d ₀	15	15	20			
Mortar volume per sleeve	[ml]	15	15	27			
h ₁ : drill hole depth ≥	[mm]	90	90	90			
h _{nom} : sleeve installation depth	[mm]	85	85	85			
h _{ef} : stud bolt depth ≥	[mm]	80	80	80			
t _{fix} : thickness of material to be fixed ≤	[mm]	22	25	18			
h _c : base material thickness ≥	[mm]	110	110	110			
d _f : metal sheet diameter ≤	[mm]	9	12	14			
T _{ins} : torque ≤	[Nm]	2	2	2			
Circular brush		ø20					
Stud code		MOES08110	MOES10115	MOES12110			
Sleeve code		MOTN15085	MOTN15085	MOTN20085			
BASE MATERIAL	NYLON SLEEVE						
	M8, M10			M12			
Critical/Minimum spacing and distance to edge		c _{cr} = c _{min}	s _{cr II} = s _{min II}	s _{cr ⊥} = s _{min ⊥}	c _{cr} = c _{min}	s _{cr II} = s _{min II}	s _{cr ⊥} = s _{min ⊥}
Brick number 1	[mm]	100	245	110	120	245	110
Brick number 2	[mm]	100	373	238	120	373	238



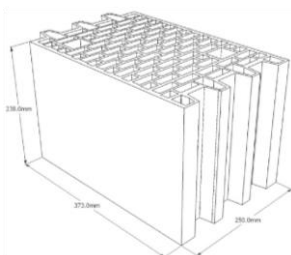
In order to make fixations in hollow bricks a nylon sleeve should be used to prevent the resin from falling through the inner holes.

BRICK TYPES



Brick n° 1

Hollow baked clay brick according to EN 771-1
 Length / width / height: 245 mm / 110 mm / 88 mm
 $f_b \geq 2,5 \text{ N/mm}^2$ / $\rho \geq 0,74 \text{ kg/dm}^3$



Brick n° 2

Hollow baked clay brick Porotherm according to EN 771-1
 Length / width / height: 373 mm / 250 mm / 238 mm
 $f_b \geq 12 \text{ N/mm}^2$ / $\rho \geq 0,9 \text{ kg/dm}^3$

MOEPSE STYRENE FREE EPOXY VINYLESTER

Denomination: EPOXY VINYLESTER CHEMICAL MORTAR STYRENE FREE

Codes: **MOEPSE, MOEPSEW**

Reference: **FT MOEPSE-en**

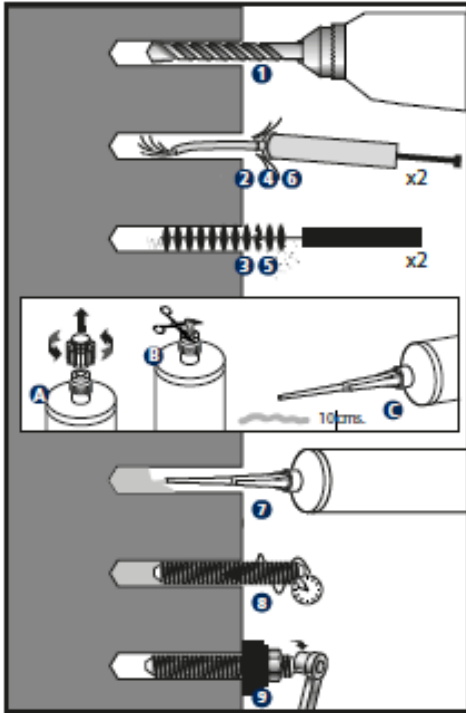
Date: **03/10/17**

Revision: **10**

Page: **5 of 11**

4. PRODUCT SET UP

4.1. CONCRETE SET UP



1. DRILL

Check the concrete base is compact and porosity is insignificant.

Suitable for wet, dry or flooded drill holes.

Cartridge installation temperature: $\geq 5\text{ }^{\circ}\text{C}$.

Base material installation temperature: MOEPSE $\geq +5\text{ }^{\circ}\text{C}$

MOEPSEW $\geq -10\text{ }^{\circ}\text{C}$

Use drill in hammer mode.

Drill to the specified diameter and depth values

2 - 6. BLOW AND CLEAN

Clear the drill holes completely of dust and fragments by following the procedure shown in the picture. If the drill hole is flooded, the water must be removed before mortar is injected.

A - B* - C. OPEN CARTRIDGE

Screw the nozzle into the cartridge and place the assembly in the application gun. Squeeze on the trigger repeatedly until the mortar comes out of the nozzle in a uniform grey color. Any iridescence indicates improper mixing. Always discard the first two doses of each cartridge: these are never to be used for fixing. *For 300 ml cartridges, cut end of bag, behind seal clip.

7. INJECT MORTAR

Insert the nozzle to the bottom of the drill hole and apply mortar: gradually remove the nozzle, ensuring there are no air bubbles.

Fill the hole to $\frac{1}{2}$ and $\frac{3}{4}$ of its depth.

In the event of not fully using the cartridge, leave nozzle attached. Only change if using again and handling time has expired, remembering to discard the first two doses of mortar.

8. INSTALLATION

Introduce the stud to be installed by screwing it lightly down to the installation depth value manually; ensuring the mortar covers the stud thread. The introduction of the anchor must take place within the handling time. The mortar must seep from the top of the drill hole to ensure it is completely full and there are no gaps between the stud and the drill hole.

TEMPERATURE AND CURING TIME

TYPE	Base material temperature [°C]	Handling time [min]	Curing time [min]
MOEPSE	+5 to +10	10	145
	+10 to +15	8	85
	+15 to +20	6	75
	+20 to +25	5	50
	+25 to +30	4	40
MOEPSEW	-10 to -5	50	12 hours
	-5 to 0	15	100
	0 to +5	10	75
	+5 to +20	5	50
	+20	100 seconds	20

9. APPLY TORQUE

Once the curing time has elapsed, apply torque, never exceeding the values indicated in the table.

MOEPSE STYRENE FREE EPOXY VINYLESTER

Denomination: EPOXY VINYLESTER CHEMICAL MORTAR STYRENE FREE

Codes: **MOEPSE, MOEPSEW**

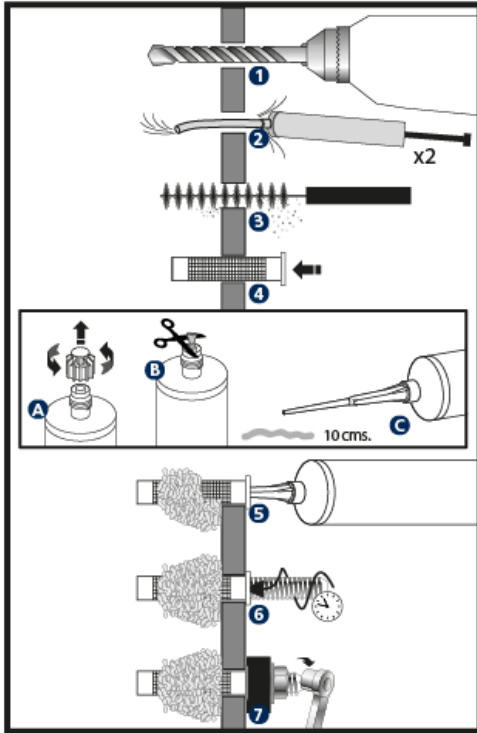
Reference: **FT MOEPSE-en**

Date: **03/10/17**

Revision: **10**

Page: **6 of 11**

4.2. MASONRY SET UP



1. DRILL

Check the concrete base is compact and porosity is insignificant.

Suitable for wet, dry or flooded drill holes.

Cartridge installation temperature: $\geq 5\text{ }^{\circ}\text{C}$.

Base material installation temperature: MOEPSE $\geq +5\text{ }^{\circ}\text{C}$

MOEPSEW $\geq -10\text{ }^{\circ}\text{C}$

Use drill in rotation mode.

Drill to the specified diameter and depth values

2 - 3. BLOW AND CLEAN

Clear the drill holes completely of dust and fragments by following the procedure shown in the picture. If the drill hole is flooded, the water must be removed before mortar is injected.

4. POSITION SLEEVE(s)

Insert the metal or plastic sleeve into the drill hole so it is level with the surface of the base material.

A - B* - C. OPEN CARTRIDGE

Screw the nozzle into the cartridge and place the assembly in the application gun. Squeeze on the trigger repeatedly until the mortar comes out of the nozzle in a uniform grey color. Any iridescence indicates improper mixing. Always discard the first two doses of each cartridge: these are never to be used for fixing. ***For 300 ml cartridges, cut end of bag, behind seal clip.**

5. INJECT MORTAR

Insert the nozzle to the bottom of the drill hole and apply mortar: gradually remove the nozzle, ensuring there are no air bubbles. Fill the sleeve fully.

In the event of not fully using the cartridge, leave nozzle attached. Only change if using again and handling time has expired, remembering to discard the first two doses of mortar.

6. INSTALLATION

Introduce the stud to be installed by screwing it lightly down to the installation depth value manually; ensuring the mortar covers the stud thread. The introduction of the anchor must take place within the handling time. The mortar must seep from the top of the sleeve hole to ensure it is completely full and there are no gaps between the stud and the drill hole.

TEMPERATURE AND CURING TIME

TYPE	TYPE	Handling time [min]	Curing time [min]
MOEPSE	+5 to +10	10	145
	+10 to +15	8	85
	+15 to +20	6	75
	+20 to +25	5	50
	+25 to +30	4	40
MOEPSEW	-10 to -5	50	12 hours
	-5 to 0	15	100
	0 to +5	10	75
	+5 to +20	5	50
	+20	100 seconds	20

7. APPLY TORQUE

Once the curing time has elapsed, apply torque, never exceeding the values indicated in the table.

MOEPSE STYRENE FREE EPOXY VINYLESTER

Denomination: EPOXY VINYLESTER CHEMICAL MORTAR STYRENE FREE

Codes: **MOEPSE, MOEPSEW**

Reference: **FT MOEPSE-en**

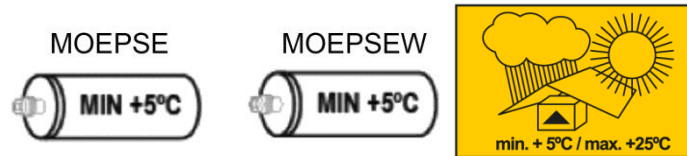
Date: **03/10/17**

Revision: **10**

Page: **7 of 11**

5. STORAGE CONDITIONS

Keep the product stored in a cool, dry place, away from direct sunlight and heat sources, at an average temperature between +5 °C and +25 °C.



Shelf life of unopened cartridge: 18 months from the date of manufacture. The expiration date is indicated on the cartridge.

6. RESISTANCES

6.1 CONCRETE FIXATION

Characteristic resistances for C20/25 concrete for an isolated anchor (without considering anchor-to-anchor or anchor-to-edge distance effects) and class 5.8 studs or A4-70 stainless steel are shown in tables below.

CHARACTERISTIC RESISTANCES

CONCRETE CLASS	SIZE				M8	M10	M12	M16	M20	M24	M27	M30	
	NON-CRACKED CONCRETE	ZINC PLATED	Tension	$h_{ef,min} = 8d$	N_{Rk}	[kN]	16,0	23,8	34,3	57,9	85,4	115,8	119,0
Standard stud				N_{Rk}	[kN]	20,1	26,8	39,4	57,9	90,7	126,6	--	145,1
$h_{ef,max} = 20d$				N_{Rk}	[kN]	<u>18,0</u>	<u>29,0</u>	<u>42,0</u>	<u>79,0</u>	<u>123,0</u>	<u>177,0</u>	297,7	311,1
Shear			All depths	V_{Rk}	[kN]	<u>9,0</u>	<u>15,0</u>	<u>21,0</u>	<u>39,0</u>	<u>61,0</u>	<u>88,0</u>	<u>115,0</u>	<u>140,0</u>
STAINLESS STEEL		Tension	$h_{ef,min} = 8d$	N_{Rk}	[kN]	16,0	23,8	34,3	57,9	85,4	115,8	119,0	124,4
			Standard stud	N_{Rk}	[kN]	20,1	26,8	39,4	57,9	90,7	126,6	--	145,1
			$h_{ef,max} = 20d$	N_{Rk}	[kN]	<u>26,0</u>	<u>41,0</u>	<u>59,0</u>	<u>110,0</u>	<u>172,0</u>	<u>247,0</u>	297,7	311,0
		Shear	All depths	V_{Rk}	[kN]	<u>13,0</u>	<u>20,0</u>	<u>30,0</u>	<u>55,0</u>	<u>86,0</u>	<u>124,0</u>	<u>161,0</u>	<u>196,0</u>
CRACKED CONCRETE	ZINC PLATED	Tension	$h_{ef,min} = 8d$	N_{Rk}	[kN]	--	11,3	16,2	28,9	40,2	57,9	--	--
			Standard stud	N_{Rk}	[kN]	--	12,7	18,6	28,9	42,7	63,3	--	--
			$h_{ef,max} = 20d$	N_{Rk}	[kN]	--	28,2	40,7	72,3	100,5	144,7	--	--
		Shear	All depths	V_{Rk}	[kN]	--	<u>15,0</u>	<u>21,0</u>	<u>39,0</u>	<u>61,0</u>	<u>88,0</u>	--	--
	STAINLESS STEEL	Tension	$h_{ef,min} = 8d$	N_{Rk}	[kN]	--	11,3	16,2	28,9	40,2	57,9	--	--
			Standard stud	N_{Rk}	[kN]	--	12,7	18,6	28,9	42,7	63,3	--	--
			$h_{ef,max} = 20d$	N_{Rk}	[kN]	--	28,2	40,7	72,3	100,5	144,7	--	--
		Shear	All depths	V_{Rk}	[kN]	--	<u>20,0</u>	<u>30,0</u>	<u>55,0</u>	<u>86,0</u>	<u>124,0</u>	--	--

MOEPSE STYRENE FREE EPOXY VINYLESTER

Denomination: EPOXY VINYLESTER CHEMICAL MORTAR STYRENE FREE

Codes: **MOEPSE, MOEPSEW**

Reference: **FT MOEPSE-en**

Date: **03/10/17**

Revision: **10**

Page: **8 of 11**

DESIGN RESISTANCES

CONCRETE CLASS	SIZE				M8	M10	M12	M16	M20	M24	M27	M30				
NON-CRACKED CONCRETE	ZINC PLATED	Tension	$h_{ef,min} = 8d$	N_{Rd}	[kN]	8,9	13,2	19,1	32,1	47,4	64,3	56,7	59,2			
			Standard stud	N_{Rd}	[kN]	11,1	14,9	21,8	32,1	50,4	70,3	--	69,1			
			$h_{ef,max} = 20d$	N_{Rd}	[kN]	<u>12,0</u>	<u>19,3</u>	<u>28,0</u>	<u>52,6</u>	<u>82,0</u>	<u>118,0</u>	141,7	148,1			
		Shear	All depths	V_{Rd}	[kN]	<u>7,2</u>	<u>12,0</u>	<u>16,8</u>	<u>31,2</u>	<u>48,8</u>	<u>70,4</u>	<u>92,0</u>	<u>112,0</u>			
			STAINLESS STEEL	Tension	$h_{ef,min} = 8d$	N_{Rd}	[kN]	8,9	13,2	19,1	32,1	47,4	64,3	56,7	59,2	
					Standard stud	N_{Rd}	[kN]	11,1	14,9	21,8	32,1	50,4	70,3	--	69,1	
	$h_{ef,max} = 20d$	N_{Rd}			[kN]	<u>13,6</u>	<u>21,5</u>	<u>31,0</u>	<u>57,8</u>	<u>90,5</u>	<u>130,0</u>	141,7	148,1			
	STAINLESS STEEL	Shear	All depths	V_{Rd}	[kN]	<u>8,3</u>	<u>12,8</u>	<u>19,2</u>	<u>35,2</u>	<u>55,1</u>	<u>79,4</u>	<u>103,2</u>	<u>125,6</u>			
			CRACKED CONCRETE	ZINC PLATED	Tension	$h_{ef,min} = 8d$	N_{Rd}	[kN]	--	6,2	9,0	16,0	22,3	32,1	--	--
						Standard stud	N_{Rd}	[kN]	--	7,0	10,3	16,0	23,7	35,1	--	--
						$h_{ef,max} = 20d$	N_{Rd}	[kN]	--	15,7	22,6	40,2	55,8	80,4	--	--
				STAINLESS STEEL	Tension	All depths	V_{Rd}	[kN]	--	<u>12,0</u>	<u>16,8</u>	<u>31,2</u>	<u>48,8</u>	<u>70,4</u>	--	--
$h_{ef,min} = 8d$						N_{Rd}	[kN]	--	6,2	9,0	16,0	22,3	32,1	--	--	
Standard stud	N_{Rd}	[kN]				--	7,0	10,3	16,0	23,7	35,1	--	--			
STAINLESS STEEL	Shear	$h_{ef,max} = 20d$	N_{Rd}	[kN]	--	15,7	22,6	40,2	55,8	80,4	--	--				
		All depths	V_{Rd}	[kN]	--	<u>12,8</u>	<u>19,2</u>	<u>35,2</u>	<u>55,1</u>	<u>79,4</u>	--	--				

MAXIMUM LOADS RECOMMENDED (when $\gamma_F = 1.4$)

CONCRETE CLASS	SIZE				M8	M10	M12	M16	M20	M24	M27	M30				
NON-CRACKED CONCRETE	ZINC PLATED	Tension	$h_{ef,min} = 8d$	N_{rec}	[kN]	6,3	9,4	13,6	22,9	33,9	45,9	40,5	42,3			
			Standard stud	N_{rec}	[kN]	7,9	10,6	15,6	22,9	36,0	50,2	--	49,3			
			$h_{ef,max} = 20d$	N_{rec}	[kN]	<u>8,5</u>	<u>13,8</u>	<u>20,0</u>	<u>37,6</u>	<u>58,5</u>	<u>84,2</u>	101,2	105,7			
		Shear	All depths	V_{rec}	[kN]	<u>5,1</u>	<u>8,5</u>	<u>12,0</u>	<u>22,2</u>	<u>34,8</u>	<u>50,2</u>	<u>65,7</u>	<u>80,0</u>			
			STAINLESS STEEL	Tension	$h_{ef,min} = 8d$	N_{rec}	[kN]	6,3	9,4	13,6	22,9	33,9	45,9	40,5	42,3	
					Standard stud	N_{rec}	[kN]	7,9	10,6	15,6	22,9	36,0	50,2	--	49,3	
	$h_{ef,max} = 20d$	N_{rec}			[kN]	<u>9,77</u>	<u>15,41</u>	<u>22,18</u>	<u>41,35</u>	<u>64,66</u>	<u>92,86</u>	101,2	105,7			
	STAINLESS STEEL	Shear	All depths	V_{rec}	[kN]	<u>5,95</u>	<u>9,16</u>	<u>13,74</u>	<u>25,18</u>	<u>39,38</u>	<u>56,78</u>	<u>73,72</u>	<u>89,74</u>			
			CRACKED CONCRETE	ZINC PLATED	Tension	$h_{ef,min} = 8d$	N_{rec}	[kN]	--	4,4	6,4	11,4	15,9	22,9	--	--
						Standard stud	N_{rec}	[kN]	--	5,0	7,4	11,4	16,9	25,1	--	--
						$h_{ef,max} = 20d$	N_{rec}	[kN]	--	11,2	16,1	28,7	39,8	57,4	--	--
				STAINLESS STEEL	Tension	All depths	V_{rec}	[kN]	--	<u>8,5</u>	<u>12,0</u>	<u>22,2</u>	<u>34,8</u>	<u>50,2</u>	--	--
$h_{ef,min} = 8d$						N_{rec}	[kN]	--	4,4	6,4	11,4	15,9	22,9	--	--	
Standard stud	N_{rec}	[kN]				--	5,0	7,4	11,4	16,9	25,1	--	--			
STAINLESS STEEL	Shear	$h_{ef,max} = 20d$	N_{rec}	[kN]	--	11,2	16,1	28,7	39,8	57,4	--	--				
		All depths	V_{rec}	[kN]	--	<u>9,16</u>	<u>13,74</u>	<u>25,18</u>	<u>39,38</u>	<u>56,78</u>	--	--				

1 kN ≈ 100 kg

The italic font underlined values indicate steel failure; rest indicates pull-out failure.

MOEPSE STYRENE FREE EPOXY VINYLESTER

Denomination: EPOXY VINYLESTER CHEMICAL MORTAR STYRENE FREE

Codes: **MOEPSE, MOEPSEW**

Reference: **FT MOEPSE-en**

Date: **03/10/17**

Revision: **10**

Page: **9 of 11**

COEFFICIENTS FOR TENSION LOADS IN PULL-OUT FAILURE IN HIGH-RESISTANCE CONCRETE TYPES

CONCRETE COEFFICIENT	C30/37	C40/50	C50/60
Ψ_c (Non-cracked)	1,00	1,00	1,00
Ψ_c (Cracked)	1,12	1,23	1,30

6.2 MASONRY FIXATION

Characteristic resistances in masonry for an isolated anchor (without considering anchor-to-anchor or anchor-to-edge distance effects) and class 5.8 studs or A4-70 stainless steel are shown in tables below.

CHARACTERISTIC RESISTANCES (F_{Rk})

BASE MATERIAL *	THREADED RODS		
	TENSION AND SHEAR [kN]		
	M8	M10	M12
BRICK NUMBER 1	0,9	1,5	1,5
BRICK NUMBER 2	2	2	2,5

DESIGN RESISTANCES (F_{Rd})

BASE MATERIAL *	THREADED RODS		
	TENSION AND SHEAR [kN]		
	M8	M10	M12
BRICK NUMBER 1	0,36	0,6	0,6
BRICK NUMBER 2	0,8	0,8	1

MAXIMUM LOADS RECOMMENDED (F_{recom}) [with $\gamma_F = 1.4$]

BASE MATERIAL *	THREADED RODS		
	TENSION AND SHEAR [kN]		
	M8	M10	M12
BRICK NUMBER 1	0,26	0,43	0,43
BRICK NUMBER 2	0,57	0,57	0,71

*Consult brick type on page 4, section 3.2

MOEPSE STYRENE FREE EPOXY VINYLESTER

Denomination: EPOXY VINYLESTER CHEMICAL MORTAR STYRENE FREE

Codes: MOEPSE, MOEPSEW

Reference: FT MOEPSE-en

Date: 03/10/17

Revision:10

Page: 10 of 11

6.3 CHEMICAL RESISTANCE

Chemical resistance of the product for different kind of chemical environments and for a specific concentration.

Chemical Environment	Concentration	Result	Chemical Environment	Concentration	Result
Aqueous Solution Acetic Acid	10%	✓	Hexane	100%	C
Acetone	100%	X	Hydrochloric Acid	10%	✓
Aqueous Solution Aluminium Chloride	Saturado	✓		15%	✓
Aqueous Solution Aluminium Nitrate	10%	✓		25%	C
Ammonia Solution	5%	✓	Hydrogen Sulphide Gas	100%	✓
Jet Fuel	100%	✓	Isoproyl Alcohol	100%	C
Benzene	100%	X	Linseed Oil	100%	✓
Benzoic Acid	Saturado	✓	Lubricating Oil	100%	✓
Benzyl Alcohol	100%	X	Mineral Oil	100%	✓
Sodium Hypochlorite Solution	5 - 15%	C	Paraffin / Kerosene (Domestic)	100%	✓
Butyl Alcohol	100%	C	Phenol Aqueous Solution	1%	X
Calcium Sulphate Aqueous Solution	Saturado	✓	Phosphoric Acid	50%	✓
Carbon Monoxide	Gas	✓	Potassium Hydroxide	10% / pH13	C
Carbon Tetrachloride	100%	✓	Sea Water	100%	✓
Chlorine Water	Saturado	✓	Styrene	100%	X
Chloro Benzene	100%	X	Sulphur Dioxide Solution	10%	✓
Citric Acid Aqueous Solution	Saturado	✓	Sulphur Dioxide (40°C)	5%	✓
Cyclohexanol	100%	✓	Sulphuric Acid	10%	✓
Diesel Fuel	100%	✓		50%	✓
Diethylene Glycol	100%	✓		Turpentine	100%
Ethanol	95%	✓	White Spirit	100%	✓
Ethanol Aqueous Solution	20%	C	Xylene	100%	X
Heptane	100%	✓	Contact only to a maximum of 25°C.		C
Resistant to 75°C with at least 80% of physical properties retained.		✓	Not Resistant		X

MOEPSE STYRENE FREE EPOXY VINYLESTER

Denomination: **EPOXY VINYLESTER CHEMICAL MORTAR STYRENE FREE**Codes: **MOEPSE, MOEPSEW**Reference: **FT MOEPSE-en**Date: **03/10/17**Revision: **10**Page: **11 of 11**

7. OFFICIAL DOCUMENTATION

The following documents are available through our Sales Department or on our official website: www.indexfix.com:

- MOEPSE Safety Data Sheet.
- European Technical Assessment ETA 14/0138 for use on cracked and non-cracked concrete according to ETAG 001 Guide, option 1, for M8 to M30. Assessment for seismic loads C1.
- European Technical Approval ETA 13/0785 for the installation of post-installed concrete reinforcements with diameters from 8 to 25 mm according to technical report TR023
- European Technical Assessment ETA 16/0841 for the use in masonry according to ETAG 029 Guide.
- Classified A+ according to French Regulation DEVL11044875A relative to the emission of volatile pollutants for indoor use.
- LEED MOEPSE Certification of sustainability.
- Certification AVCP 1020-CPR-090-032411 for use in concrete.
- Certification AVCP 1020-CPD-090-030058 for post-installed rebar.
- Certification AVCP 1020-CPR-090-036865 for use in masonry.
- WRAS certificate - 160454 of material admitted for use in contact with drinking water.
- IBMB certificate – (2101/941/16) – CM of 24/01/2017 of behavior of material in contact with fire.
- Declaration of Performance DoP MOEPSE.
- INDEXcal anchor calculation software.
- INDEXmor cartridge calculation needs software.