

STAINLESS-STEEL CLAMPS

Denomination: **STAINLESS-STEEL CLAMPS**

Codes: **ABRIA2, ABRIA4, ABREA2, ABREA4, ABM6A2, ABSF2,AZA2**

Reference: **FT ABRAI-en**

Date: **11/12/19**

Revision: **5**

Page: **1 of 9**



AB-RI A2



AB-RE A2



AB-M6 A2



AB-RI A4



AB-RE A4



AB-SF A2



AZ-A2

CHARACTERISTICS

Stainless Steel clamps.

Fixings for steel piping, stainless steel piping and plastic or rubber.

Reinforced structure.

Nut M8+M10 flexibility for installation.

Variety of formats: isophonic, standard, hose clamp, M6.

APPLICATION EXAMPLES



Uses: fixation of hoses, piping, industrial vertical and horizontal installations as well as food installations, high pressure and aggressive environments.

STAINLESS-STEEL CLAMPS

Denomination: **STAINLESS-STEEL CLAMPS**

Codes: **ABRIA2, ABRIA4, ABREA2, ABREA4, ABM6A2, ABSF2, AZA2**

Reference: **FT ABRAI-en**

Date: **11/12/19**

Revision: **5**

Page: **2 of 9**

1. RANGE

ITEM	CODE	PHOTO	MATERIAL	SIZES	THICKNESS	WIDTH	NUT	MAXIMUM RECOMMENDED LOAD	SCREW	ISOPHONIC	TBC (Technical building code)
1	ABRIA2			Ø18 ÷ Ø160 mm	18,5 mm	1,7 mm	M8+M10	150	Screw	✓	✓
2	ABRIA4			Ø18 ÷ Ø160 mm	18,5 mm	1,7 mm	M8+M10	150	Screw	✓	✓
3	ABREA2			Ø18 ÷ Ø200 mm	18,5 mm	1,7 mm	M8+M10	150	Screw	--	--
4	ABREA4			Ø18 ÷ Ø200 mm	18,5 mm	1,7 mm	M8+M10	150	Screw	--	--
5	ABM6A2			Ø12 ÷ Ø28 mm	16 mm	1,5 mm	M6	70	Screw	--	--
6	ABSF2			Ø10 ÷ Ø150 mm	9 mm	0,7 mm	--	--	Screw with stamped washer	--	--
7	AZA2			1/2" – 8"	M6 – M10	--	M6 – M10	250 - 350	--	--	--

STAINLESS-STEEL CLAMPS

Denomination: **STAINLESS-STEEL CLAMPS**

Codes: ABRIA2, ABRIA4, ABREA2, ABREA4, ABM6A2, ABSF2,AZA2

Reference: **FT ABRAI-en**

Date: **11/12/19**

Revision: **5**

Page: **3 of 9**

2. TECHNICAL DATA

2.1 ABRIA2

Reinforced isophonic clamp M8+M10 Stainless Steel A2



MATERIALS AND GEOMETRY



Stainless A2

Nut M8+M10

Reinforced

USE MATERIAL



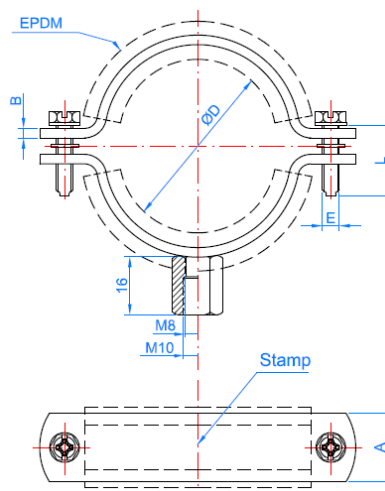
Steel pipe

Stainless steel pipe

PVC pipe

Installation Data

CODE	ØD [mm]	ØD ["]	AxB [mm]	Load [kg]
ABRIA2018	15 - 18	3/8"	18,5 x 1,7	150
ABRIA2022	20 - 24	1/2"	18,5 x 1,7	150
ABRIA2028	26 - 30	3/4"	18,5 x 1,7	150
ABRIA2035	32 - 36	1"	18,5 x 1,7	150
ABRIA2040	36 - 42	1 1/4"	18,5 x 1,7	150
ABRIA2048	47 - 50	1 1/2"	18,5 x 1,7	150
ABRIA2054	51 - 55	-	18,5 x 1,7	150
ABRIA2060	60 - 64	2"	18,5 x 1,7	150
ABRIA2075	75 - 80	2 1/2"	18,5 x 1,7	150
ABRIA2090	87 - 92	3"	18,5 x 1,7	150
ABRIA2110	106 - 112	-	18,5 x 1,7	150
ABRIA2115	114 - 119	4"	18,5 x 1,7	150
ABRIA2125	124 - 131	4 1/2"	18,5 x 1,7	150
ABRIA2140	133 - 140	5"	18,5 x 1,7	150
ABRIA2160	159 - 163	6"	18,5 x 1,7	150



STAINLESS-STEEL CLAMPS

Denomination: **STAINLESS-STEEL CLAMPS**

Codes: ABRIA2, ABRIA4, ABREA2, ABREA4, ABM6A2, ABSF2,AZA2

Reference: FT ABRAI-en

Date: 11/12/19

Revision: 5

Page: 4 of 9

2.2 ABRIA4

Reinforced isophonic clamp M8+M10 Stainless Steel A4



MATERIALS AND GEOMETRY



Stainless A4

Nut M8+M10

Reinforced

USE MATERIAL



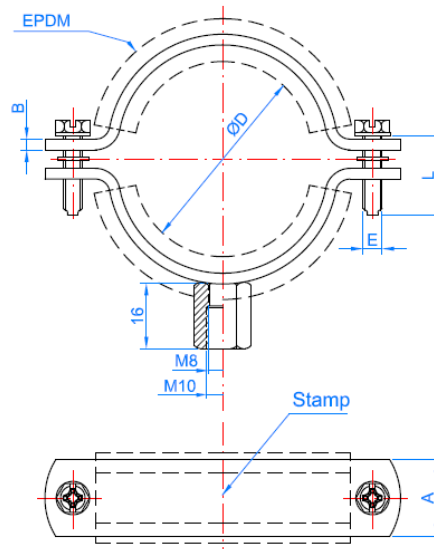
Steel pipe

Stainless steel pipe

PVC pipe

Installation Data

CODE	ØD [mm]	ØD ["]	AxB [mm]	Load [kg]
ABRIA4018	15 - 18	3/8"	18,5 x 1,7	150
ABRIA4022	20 - 24	1/2"	18,5 x 1,7	150
ABRIA4028	26 - 30	3/4"	18,5 x 1,7	150
ABRIA4035	32 - 36	1"	18,5 x 1,7	150
ABRIA4040	36 - 42	1 1/4"	18,5 x 1,7	150
ABRIA4048	47 - 50	1 1/2"	18,5 x 1,7	150
ABRIA4054	51 - 55	-	18,5 x 1,7	150
ABRIA4060	60 - 64	2"	18,5 x 1,7	150
ABRIA4075	75 - 80	2 1/2"	18,5 x 1,7	150
ABRIA4090	87 - 92	3"	18,5 x 1,7	150
ABRIA4110	106 - 112	-	18,5 x 1,7	150
ABRIA4115	114 - 119	4"	18,5 x 1,7	150
ABRIA4125	124 - 131	4 1/2"	18,5 x 1,7	150
ABRIA4140	133 - 140	5"	18,5 x 1,7	150
ABRIA4160	159 - 163	6"	18,5 x 1,7	150



STAINLESS-STEEL CLAMPS

Denomination: **STAINLESS-STEEL CLAMPS**

Codes: ABRIA2, ABRIA4, ABREA2, ABREA4, ABM6A2, ABSF2, AZA2

Reference: **FT ABRAI-en**

Date: **11/12/19**

Revision: **5**

Page: **5 of 9**

2.3 ABREA2

Reinforced clamp M8+M10 Stainless Steel A2



MATERIALS AND GEOMETRY



Stainless A2

Nut M8+M10

Reinforced

USE MATERIAL

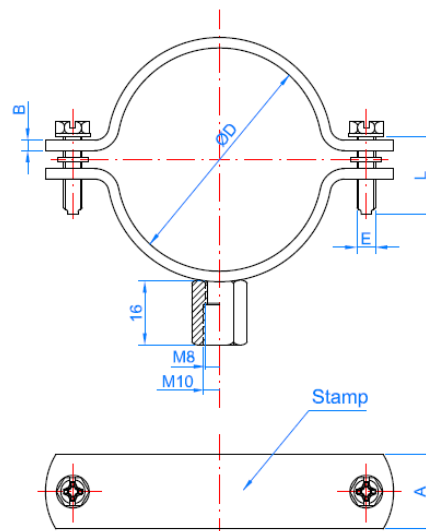


Stainless pipe

PVC pipe

Installation Data

CODE	ØD [mm]	ØD ["]	AxB [mm]	Load [kg]
ABREA2018	15 - 18	3/8"	18,5 x 1,7	150
ABREA2022	20 - 24	1/2"	18,5 x 1,7	150
ABREA2028	26 - 30	3/4"	18,5 x 1,7	150
ABREA2035	32 - 36	1"	18,5 x 1,7	150
ABREA2040	36 - 42	1 1/4"	18,5 x 1,7	150
ABREA2048	47 - 50	1 1/2"	18,5 x 1,7	150
ABREA2054	51 - 55	-	18,5 x 1,7	150
ABREA2060	60 - 64	2"	18,5 x 1,7	150
ABREA2075	75 - 80	2 1/2"	18,5 x 1,7	150
ABREA2090	87 - 92	3"	18,5 x 1,7	150
ABREA2110	106 - 112	-	18,5 x 1,7	150
ABREA2115	114 - 119	4"	18,5 x 1,7	150
ABREA2125	124 - 131	4 1/2"	18,5 x 1,7	150
ABREA2140	133 - 140	5"	18,5 x 1,7	150
ABREA2160	159 - 163	6"	18,5 x 1,7	150
ABREA2200	199 - 212	-	18,5 x 1,7	150



STAINLESS-STEEL CLAMPS

Denomination: **STAINLESS-STEEL CLAMPS**

Codes: ABRIA2, ABRIA4, ABREA2, ABREA4, ABM6A2, ABSF2, AZA2

Reference: **FT ABRAI-en**

Date: **11/12/19**

Revision: **5**

Page: **6 of 9**

2.4 ABREA4

Reinforced clamp M8+M10 Stainless Steel A2



MATERIALS AND GEOMETRY



Stainless A4

Nut M8+M10

Reinforced

USE MATERIAL

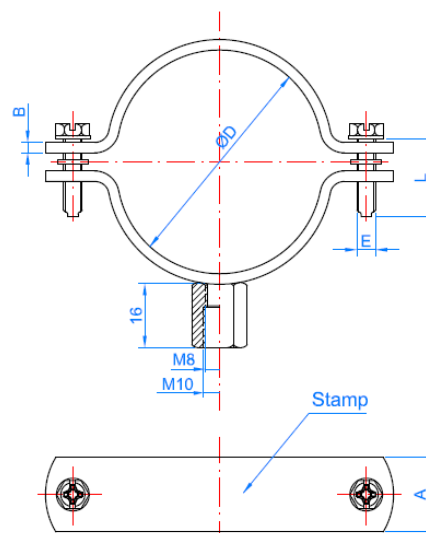


Stainless pipe

PVC pipe

Installation Data

CODE	ØD [mm]	ØD ["]	AxB [mm]	Load [kg]
ABREA4018	15 - 18	3/8"	18,5 x 1,7	150
ABREA4022	20 - 24	1/2"	18,5 x 1,7	150
ABREA4028	26 - 30	3/4"	18,5 x 1,7	150
ABREA4035	32 - 36	1"	18,5 x 1,7	150
ABREA4040	36 - 42	1 1/4"	18,5 x 1,7	150
ABREA4048	47 - 50	1 1/2"	18,5 x 1,7	150
ABREA4054	51 - 55	-	18,5 x 1,7	150
ABREA4060	60 - 64	2"	18,5 x 1,7	150
ABREA4075	75 - 80	2 1/2"	18,5 x 1,7	150
ABREA4090	87 - 92	3"	18,5 x 1,7	150
ABREA4110	106 - 112	-	18,5 x 1,7	150
ABREA4115	114 - 119	4"	18,5 x 1,7	150
ABREA4125	124 - 131	4 1/2"	18,5 x 1,7	150
ABREA4140	133 - 140	5"	18,5 x 1,7	150
ABREA4160	159 - 163	6"	18,5 x 1,7	150
ABREA4200	199 - 212	-	18,5 x 1,7	150



STAINLESS-STEEL CLAMPS

Denomination: **STAINLESS-STEEL CLAMPS**

Codes: ABRIA2, ABRIA4, ABREA2, ABREA4, ABM6A2, ABSF2,AZA2

Reference: **FT ABRAI-en**

Date: **11/12/19**

Revision: **5**

Page: **7 of 9**

2.5 ABM6A2

M6 Clamps, Stainless steel A2



MATERIALS AND GEOMETRY



Stainless A2

USE MATERIAL



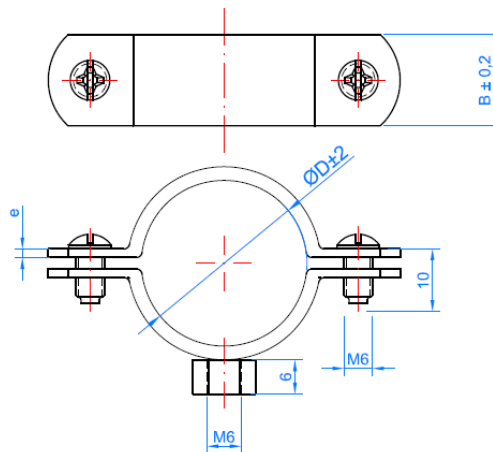
Stainless pipe



PVC pipe

Installation Data

CODE	ØD [mm]	ØD ["]	AxB [mm]	Load [kg]
ABM6A2012	12	1/4"	16 x 1,5	70
ABM6A2015	14 - 15	-	16 x 1,5	70
ABM6A2018	16 - 18	3 / 8"	16 x 1,5	70
ABM6A2020	19 - 21	1 / 2"	16 x 1,5	70
ABM6A2022	22 - 24	-	16 x 1,5	70
ABM6A2028	25 - 30	3/4"	16 x 1,5	70



STAINLESS-STEEL CLAMPS

Denomination: **STAINLESS-STEEL CLAMPS**

Codes: ABRIA2, ABRIA4, ABREA2, ABREA4, ABM6A2, ABSF2,AZA2

Reference: **FT ABRAI-en**

Date: **11/12/19**

Revision: **5**

Page: **8 of 9**

2.6 ABSF2

Hose clamp , Stainless Steel A2



MATERIALS AND GEOMETRY



Stainless A2

Embossed washer

For several Ø

USE MATERIAL

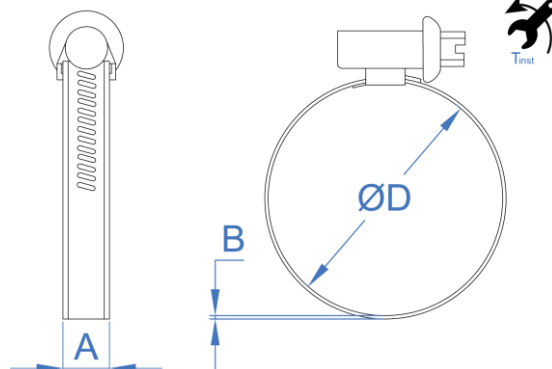


Stainless pipe

PVC pipe

Installation Data

CODE	ØD [mm]	ØD ["]	AxB [mm]	Torque [Nm]
ASF2010016	10-16	-	9 x 0,7	4
ASF2012020	12-20	1/2" - 7/8"	9 x 0,7	4
ASF2016027	16-27	5/8" - 1 1/16"	9 x 0,7	4
ASF2020032	20-32	3/4" - 1 1/4"	9 x 0,7	4
ASF2025040	25-40	1" - 1 5/8"	9 x 0,7	4
ASF2032050	32-50	1 3/8" - 2"	9 x 0,7	4
ASF2040060	40-60	1 5/8" - 2 3/8"	9 x 0,7	4
ASF2050070	50-70	2" - 2 3/4"	9 x 0,7	4
ASF2060080	60-80	2 3/8" - 3 1/8"	9 x 0,7	4
ASF2070090	70-90	2 3/4" - 3 1/2"	9 x 0,7	4
ASF2080100	80-100	3 1/8" - 4"	9 x 0,7	4
ASF2090110	90-110	3 1/2" - 4 3/8"	9 x 0,7	4
ASF2100120	100-120	4" - 4 3/4"	9 x 0,7	4
ASF2110130	110-130	4 3/8" - 5 1/8"	9 x 0,7	4
ASF2120140	120-140	4 3/4" - 5 1/2"	9 x 0,7	4
ASF2130150	130-150	5 1/8" - 5 7/8"	9 x 0,7	4



STAINLESS-STEEL CLAMPS

Denomination: **STAINLESS-STEEL CLAMPS**

Codes: **ABRIA2, ABRIA4, ABREA2, ABREA4, ABM6A2, ABSF2,AZA2**

Reference: **FT ABRAI-en**

Date: **11/12/19**

Revision: **5**

Page: **9 of 9**

2.7 AZ-A2

U-BOLT STAINLESS STEEL A2



MATERIALS AND GEOMETRY



Stainless A2



4 Nuts

USE MATERIAL



Steel pipe



Stainless steel pipe



PVC pipe

Installation Data

CODE	M	Ø D (")	A (mm)	B (mm)	C (mm)	Maximum load recommended (kg)
AZA2060500	M6	1/2"	27,5	17	25	250
AZA2060750	M6	3/4"	33	19	31	250
AZA2061000	M6	1"	39,5	24	39	250
AZA2061250	M6	1 1/4"	48,5	24	44	250
AZA2081500	M8	1 1/2"	56,5	26	48	350
AZA2082000	M8	2"	68,5	26	53	350
AZA2082500	M8	2 1/2"	83	35	71	350
AZA2083000	M8	3"	99	35	76	350
AZA2104000	M10	4"	125	55	97,5	350
AZA2106000	M10	6"	170	55	125	350
AZA2108000	M10	8"	230	55	148	350

