



AB-SF



AB-BU



AB-GP

CHARACTERISTICS

- Heavy-duty clamps for heavyweight pipes.
- Variety of formats: isophonic or standard.
- Coating solutions for every scenario: galvanized, zinc-plated, yellow painted.
- U bolt and support, installation flexibility.
- Double thread clamps M8+M10.
- Uses: sanitation, electric installations, ventilation, air conditioning, gas pipes, firefighting, etc.

BASE MATERIAL



1. RANGE

ITEM	CODE	PHOTO	MEASURES [mm]	COVERING	THICKNESS [mm]	WIDTH [mm]	APPLICATIONS
1	AB-SF		Ø8 ÷ Ø150		0,7 – 0,8	9	Industrial Sanitation
2	AB-BU		Ø13 ÷ Ø21		0,5 – 0,7	8,7 – 9,3	Butane cylinder
3	AB-GP		Ø25 – Ø235		0,6 – 1,7	18 – 25	Industrial Sanitation

2. DATOS DE INSTALACION

2.1 AB-SF

Hose clamp



Coating



Zinc plated

Base Materials



Flexible Piping

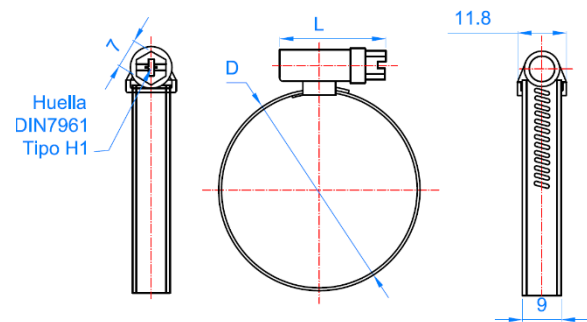


Plastic Piping

Installation data

Code	ØD (mm)	ØD (")	A x B (mm)	L	Torque (Nm)	Characteristics
ASF008016	8 ÷ 16	5/16 ÷ 5/8	9 x 0,70	23	4,50	<ul style="list-style-type: none"> • For piping from Ø8 to Ø150 mm. • Surface finish: Zinc plated ≥ 5 microns. • Washer screw, to facilitate screw torque. • Steel profile, 0.7 to 0.8 mm thick, depending on measurement. • Especially suitable for hoses, plastic piping, industrial use, etc. • Quick and easy to install.
ASF12022	12 ÷ 22	1/2 ÷ 7/8	9 x 0,70	23	4,50	
ASF16027	16 ÷ 27	5/8 ÷ 1 1/16	9 x 0,70	26	4,50	
ASF20032	20 ÷ 32	3/4 ÷ 1 1/4	9 x 0,70	26	4,50	
ASF25040	25 ÷ 40	1 ÷ 1 5/8	9 x 0,70	26	4,50	
ASF30045	30 ÷ 45	1 3/16 ÷ 1 3/4	9 x 0,80	26	4,50	
ASF35050	35 ÷ 50	1 3/8 ÷ 2	9 x 0,80	26	4,50	
ASF40060	40 ÷ 60	1 5/8 ÷ 2 3/8	9 x 0,80	26	4,50	
ASF50070	50 ÷ 70	2 ÷ 2 3/4	9 x 0,80	26	4,50	
ASF60080	60 ÷ 80	2 3/8 ÷ 3 1/8	9 x 0,80	26	4,50	
ASF70090	70 ÷ 90	2 3/4 ÷ 3 1/2	9 x 0,80	26	4,50	
ASF80100	80 ÷ 100	3 1/8 ÷ 4	9 x 0,80	26	4,50	
ASF90110	90 ÷ 110	3 1/2 ÷ 4 3/8	9 x 0,80	26	4,50	
ASF100120	100 ÷ 120	4 ÷ 4 3/4	9 x 0,80	26	4,50	
ASF110130	110 ÷ 130	4 3/8 ÷ 5 1/8	9 x 0,80	26	4,50	
ASF120140	120 ÷ 140	4 3/4 ÷ 5 1/2	9 x 0,80	26	4,50	
ASF130150	130 ÷ 150	5 1/8 ÷ 5 7/8	9 x 0,80	26	4,50	

DRAWING



APPLICATION EXAMPLES



2.2 AB-BU

Butane clamp



Coating



Zinc plated

Base Materials

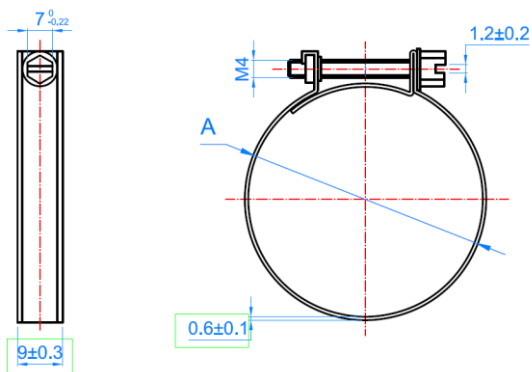


Butane Piping

Installation data

Code	ØD (mm)	A x B (mm)	Torque (Nm)	Characteristics
ABBU1315	13 ÷ 15	9 x 0,6	2	<ul style="list-style-type: none"> • For piping from Ø13 to Ø21 mm. • Surface finish: Zinc plated ≥ 5 microns. • Washer screw, to facilitate screw torque • Steel profile, 0.6 mm thick. • Especially suitable for butane cylinder. • Quick and easy to install.
ABBU1618	16 ÷ 18	9 x 0,6	2	
ABBU1921	19 ÷ 21	9 x 0,6	2	

DRAWING



APPLICATION EXAMPLES



2.3 AB-GP

Robust clamp



Benefits

Bordes redondeadas
Rounded edges
Bords arrondis

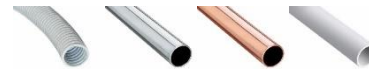


Coating



Zinc-plated

Base Material



Flexible pipe

Steel pipe

Copper pipe

PVC pipe

Installation data

Code	MxL	Ø D (mm)	A	B	Characteristics
AGP023025	M5 x 40	23-25	18	0,6	<ul style="list-style-type: none"> • Pipe from Ø25 to Ø135 mm. • Surface coating: electrolytic zinc plated, coating >5 microns. • Bolt quality 8.8. • Band plate from 0.6 to 1.7 depending of the size. • Recommended for hoses and pipes. • Easy and safe installation. • Rounded band to avoid damaging the pipes. • Great torque capacity.
AGP026028	M5 x 40	26-28	18	0,6	
AGP029031	M6 x 50	29-31	20	0,8	
AGP032035	M6 x 50	32-35	20	0,8	
AGP036039	M6 x 50	36-39	20	0,8	
AGP040043	M6 x 50	40-43	20	0,8	
AGP044047	M6 x 55	44-47	22	1,2	
AGP048051	M6 x 55	48-51	22	1,2	
AGP052055	M6 x 55	52-55	22	1,2	
AGP056059	M6 x 55	56-59	22	1,2	
AGP060063	M6 x 55	60-63	22	1,2	
AGP064067	M8 x 70	64-67	22	1,5	
AGP068073	M8 x 70	68-73	24	1,5	
AGP074079	M8 x 70	74-79	24	1,5	
AGP080085	M8 x 70	80-85	24	1,5	
AGP086091	M8 x 70	86-91	24	1,5	
AGP092097	M8 x 70	92-97	24	1,5	
AGP098103	M8 x 70	98-103	24	1,5	
AGP104112	M8 x 80	104-112	24	1,5	
AGP113121	M8 x 80	113-121	24	1,5	
AGP122130	M8 x 80	122-130	24	1,5	
AGP131139	M10 x 90	131-139	25	1,5	
AGP140148	M10 x 90	140-148	25	1,5	
AGP149161	M10 x 110	149-161	25	1,7	
AGP162174	M10 x 110	162-174	25	1,7	
AGP175187	M10 x 110	175-187	25	1,7	
AGP188200	M10 x 110	188-200	25	1,7	
AGP201213	M10 x 110	201-213	25	1,7	
AGP214226	M10 x 110	214-226	25	1,7	
AGP227238	M10 x 110	227-238	25	1,7	

DRAWING

